



**BLOCK DOBLE  
BASE SHUKO + INTERRUPTOR  
-CONMUTADOR  
ENCHUFE (16A-250V~)**



8436575082950

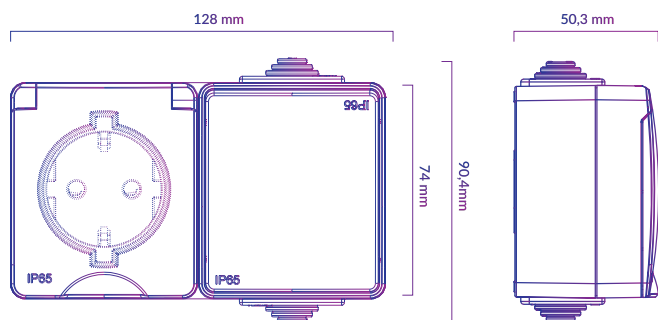
**S60.407.14**

BLOCK DOBLE BASE SHUKO+INTERRUPTOR-CONMUTADOR  
SUPERFICIE GRIS

16 A  
POLICARBONATO  
IP65

GRIS

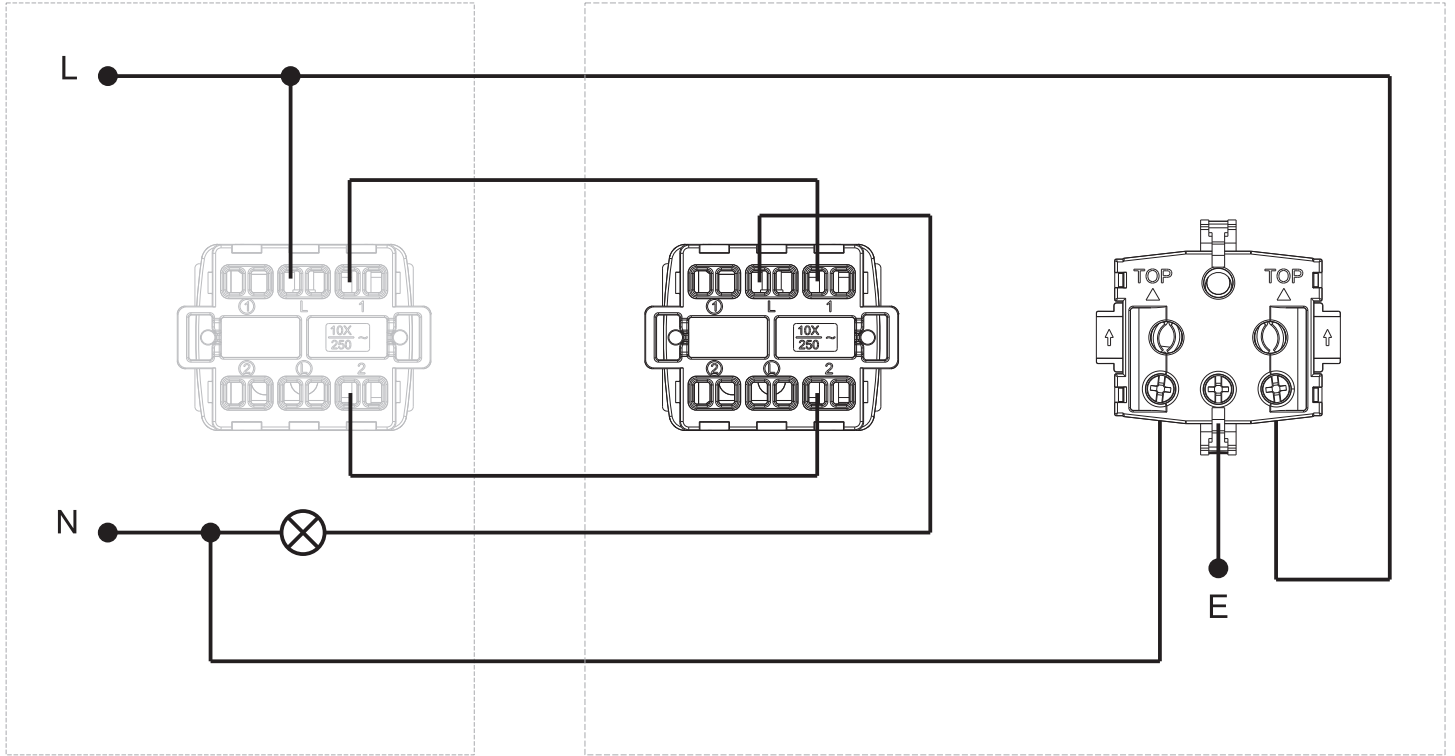
**DIMENSIONES**



**SIMBOLOGÍA**



DIAGRAMAS DE CONEXIÓN





## DECLARACIÓN CE DE CONFORMIDAD

Referencia del producto: S20.101.10, S20.101.11, S20.102.10, S20.102.11, S20.107.10, S20.107.11, S20.109.10, S20.109.11, S20.111.10, S20.111.11, S20.103.10, S20.103.11, S20.122.10, S20.122.11, S20.124.10, S20.124.11, S20.110.10, S20.110.11, S20.104.10, S20.104.11, S20.105.10, S20.105.11, S20.106.10, S20.106.11, S20.123.10, S20.123.11, S20.127.10, S20.127.11, S20.108.10, S20.108.11, S20.126.10, S20.126.11, S20.128.10, S20.128.11, S20.120.10, S20.120.11, S20.117.10, S20.117.11, S20.112.10, S20.112.11, S20.114.10, S20.114.11, S20.113.10, S20.113.11, S20.115.10, S20.115.11, S20.116.10, S20.116.11, S20.118.10, S20.118.11, S20.119.10, S20.119.11, S20.121.10, S20.121.11, S20.131.10, S20.131.11, S20.132.10, S20.132.11, S20.301.10, S20.301.11, S20.301.12, S20.302.10, S20.302.11, S20.302.12, S20.303.10, S20.303.11, S20.303.12, S20.304.10, S20.304.11, S20.304.12, S20.201.10, S20.202.10, S20.203.10, S20.900.00, S20.901.00, S30.501.00, S30.502.00, S30.601.10, S30.601.11, S30.601.12, S30.601.13, S30.503.00, S30.522.00, S30.603.10, S30.603.11, S30.603.12, S30.603.13, S30.504.00, S30.505.00, S30.604.10, S30.604.11, S30.604.12, S30.604.13, S30.506.00, S30.523.00, S30.606.10, S30.606.11, S30.606.12, S30.606.13, S30.507.00, S30.509.00, S30.609.10, S30.609.11, S30.609.12, S30.609.13, S30.510.00, S30.610.11, S30.610.12, S30.610.13, S30.529.00, S30.629.10, S30.629.11, S30.629.12, S30.629.13, S30.508.00, S30.608.10, S30.608.11, S30.608.12, S30.608.13, S30.528.00, S30.628.10, S30.628.11, S30.628.12, S30.628.13, S30.530.00, S30.630.10, S30.630.11, S30.630.12, S30.630.13, S30.511.00, S30.611.10, S30.611.11, S30.611.12, S30.611.13, S30.520.00, S30.620.10, S30.620.11, S30.620.12, S30.620.13, S30.517.00, S30.617.10, S30.617.11, S30.617.12, S30.617.13, S30.512.00, S30.612.10, S30.612.11, S30.612.12, S30.612.13, S30.515.00, S30.516.00, S30.615.10, S30.615.11, S30.615.12, S30.615.13, S30.616.10, S30.616.11, S30.616.12, S30.616.13, S30.513.00, S30.613.10, S30.613.11, S30.613.12, S30.613.13, S30.631.10, S30.631.11, S30.631.12, S30.631.13, S30.618.10, S30.618.11, S30.618.12, S30.618.13, S30.621.10, S30.621.11, S30.621.12, S30.621.13, S30.700.10, S30.700.11, S30.700.12, S30.700.13, S30.532.00, S30.632.10, S30.632.11, S30.632.12, S30.632.13, S30.514.00, S30.614.10, S30.614.11, S30.614.12, S30.614.13, S30.801.10, S30.801.11, S30.802.10, S30.802.11, S30.803.10, S30.803.11, S30.804.10, S30.804.11, S30.801.15, S30.801.16, S30.802.15, S30.802.16, S30.803.15, S30.803.16, S30.804.15, S30.804.16, S30.821.10, S30.822.10, S30.823.10, S30.824.10, S60.401.14, S60.402.14, S60.403.14, S60.404.14, S60.405.14, S60.406.14, S60.407.14, S60.901.00.

ATMOSS ELECTRIC EQUIPMENT S.L. declara que el producto mencionado ha sido fabricado de acuerdo con las directivas europeas que se citan a través del cumplimiento de las siguientes normas.:

Nº	Directiva
2011/65/EU	Restricción de ciertas Sustancias Peligrosas en aparatos eléctricos y electrónicos.

Normas: IEC 62321-3-1: 2013; IEC 62321-5: 2013; IEC 62321-4: 2013; IEC 62321-6: 2015; IEC 62321-7-1: 2015; IEC 62321: 2008 ANEXO C

  
ATMOSS  
CIF: B54262662  
Marcelo Ferri Sanchis  
Gerente

26 de Octubre de 2020



# CERTIFICATE of Conformity

Reference No. : LCS171031034AR

Applicant : ATMOSS S.L.

Address : CALLE MECANICOS, 5 30130 SANTA POLA (ALICANTE)

Trademark : N.A.

Product : Switch and accessories

Model(s) : (see attached)

The submitted products have been tested by us with the listed standards and found in compliance with the following European Directives:

The RoHS Directive 2011/65/EU

IEC 62321-3-1: 2013 IEC 62321-5: 2013 IEC 62321-4: 2013 IEC 62321-6: 2015  
IEC 62321-7-1: 2015 IEC 62321: 2008 ANNEX C

The tests were performed in normal operation mode. The test results apply only to the particular sample tested and to the specific tests carried out. This certificate applies specifically to the sample investigated in our test reference number only.

The RoHS markings as shown below can be affixed on the product after preparation of necessary technical documentation.

Other relevant Directives have to be observed.

# RoHS

Date of Issue: October 29, 2020



Shenzhen LCS Compliance Testing laboratory Ltd.  
1/F., Xingyuan Industrial Park, Tongda Road, Bao'an Avenue, Bao'an District,  
Shenzhen, Guangdong, China  
Tel: (86)755-82591330 Fax: (86)755-82591332  
Http://www.lcs-cert.com Email: webmaster@lcs-cert.com





ANNEX 1:

Reference No. : LCS171031034AR

**Model No.** : S20.101.10, S20.101.11, S20.102.10, S20.102.11, S20.107.10, S20.107.11, S20.109.10, S20.109.11, S20.111.10, S20.111.11, S20.103.10, S20.103.11, S20.122.10, S20.122.11, S20.124.10, S20.124.11, S20.110.10, S20.110.11, S20.104.10, S20.104.11, S20.105.10, S20.105.11, S20.106.10, S20.106.11, S20.123.10, S20.123.11, S20.127.10, S20.127.11, S20.108.10, S20.108.11, S20.126.10, S20.126.11, S20.128.10, S20.128.11, S20.120.10, S20.120.11, S20.117.10, S20.117.11, S20.112.10, S20.112.11, S20.114.10, S20.114.11, S20.113.10, S20.113.11, S20.115.10, S20.115.11, S20.116.10, S20.116.11, S20.118.10, S20.118.11, S20.119.10, S20.119.11, S20.121.10, S20.121.11, S20.131.10, S20.131.11, S20.132.10, S20.132.11, S20.301.10, S20.301.11, S20.301.12, S20.302.10, S20.302.11, S20.302.12, S20.303.10, S20.303.11, S20.303.12, S20.304.10, S20.304.11, S20.304.12, S20.201.10, S20.202.10, S20.203.10, S20.900.00, S20.901.00, S30.501.00, S30.502.00, S30.601.10, S30.601.11, S30.601.12, S30.601.13, S30.503.00, S30.522.00, S30.603.10, S30.603.11, S30.603.12, S30.603.13, S30.504.00, S30.505.00, S30.604.10, S30.604.11, S30.604.12, S30.604.13, S30.506.00, S30.523.00, S30.606.10, S30.606.11, S30.606.12, S30.606.13, S30.507.00, S30.509.00, S30.609.10, S30.609.11, S30.609.12, S30.609.13, S30.510.00, S30.610.11, S30.610.12, S30.610.13, S30.529.00, S30.629.10, S30.629.11, S30.629.12, S30.629.13, S30.508.00, S30.608.10, S30.608.11, S30.608.12, S30.608.13, S30.528.00, S30.628.10, S30.628.11, S30.628.12, S30.628.13, S30.530.00, S30.630.10, S30.630.11, S30.630.12, S30.630.13, S30.511.00, S30.611.10, S30.611.11, S30.611.12, S30.611.13, S30.520.00, S30.620.10, S30.620.11, S30.620.12, S30.620.13, S30.517.00, S30.617.10, S30.617.11, S30.617.12, S30.617.13, S30.512.00, S30.612.10, S30.612.11, S30.612.12, S30.612.13, S30.515.00, S30.516.00, S30.615.10, S30.615.11, S30.615.12, S30.615.13, S30.616.10, S30.616.11, S30.616.12, S30.616.13, S30.513.00, S30.613.10, S30.613.11, S30.613.12, S30.613.13, S30.631.10, S30.631.11, S30.631.12, S30.631.13, S30.618.10, S30.618.11, S30.618.12, S30.618.13, S30.621.10, S30.621.11, S30.621.12, S30.621.13, S30.700.10, S30.700.11, S30.700.12, S30.700.13, S30.532.00, S30.632.10, S30.632.11, S30.632.12, S30.632.13, S30.514.00, S30.614.10, S30.614.11, S30.614.12, S30.614.13, S30.801.10, S30.801.11, S30.802.10, S30.802.11, S30.803.10, S30.803.11, S30.804.10, S30.804.11, S30.801.15, S30.801.16, S30.802.15, S30.802.16, S30.803.15, S30.803.16, S30.804.15, S30.804.16, S30.821.10, S30.822.10, S30.823.10, S30.824.10, S60.401.14, S60.402.14, S60.403.14, S60.404.14, S60.405.14, S60.406.14, S60.407.14, S60.901.00.

# RoHS

